

9/13/16 DESIGN

ARDUINO UNO/MEGA

HC-05 BT MODULE

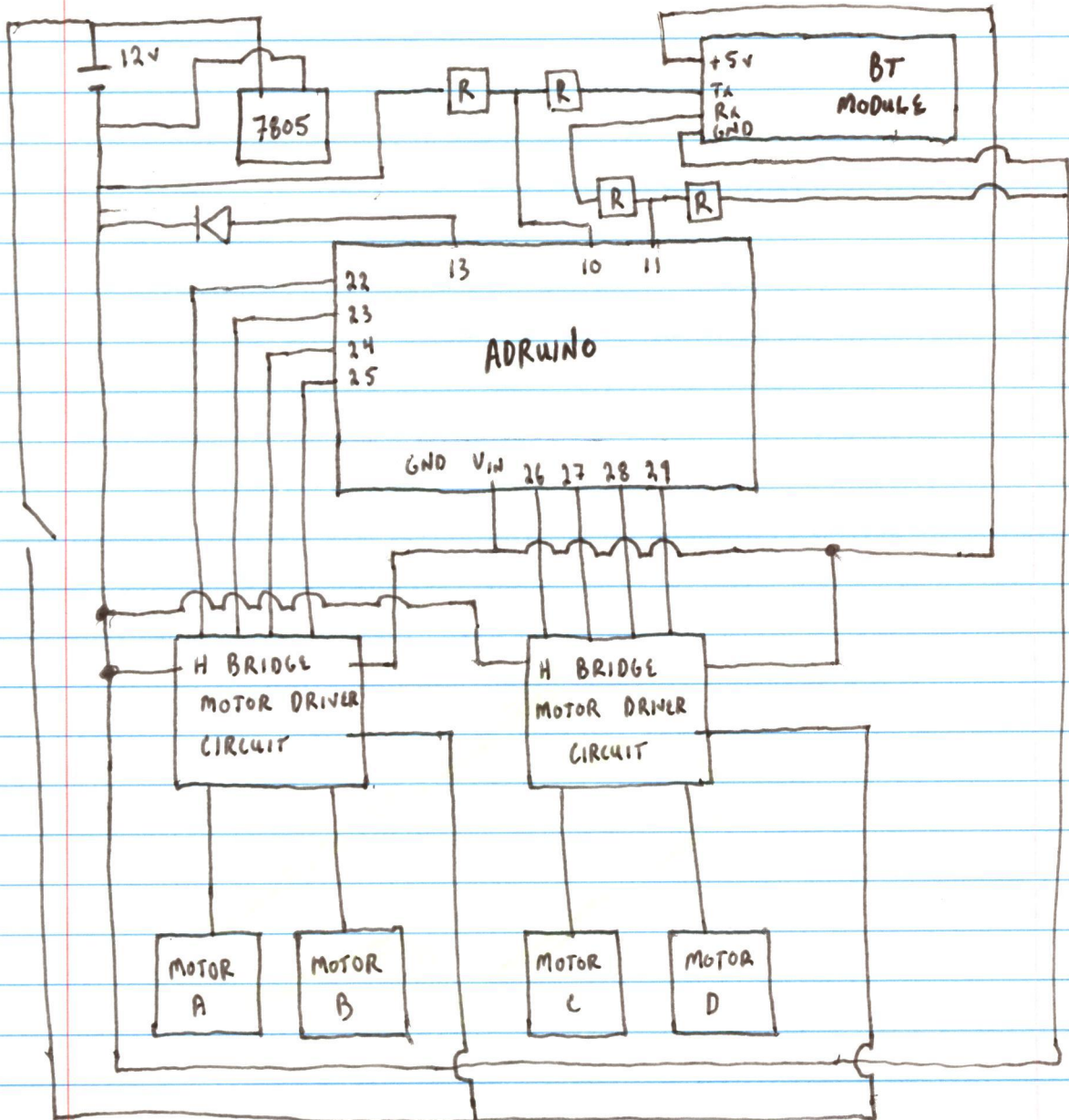
12 V DC MOTORS

MOTOR DRIVERS

10KΩ RESISTORS

7805 VOLTAGE REGULATOR

* PRELIMINARY, SUBJECT
TO CHANGE *



9/15/16

CODING OUTLINE → ARDUINO C LANGUAGE

- TELL PROGRAM MAKE USE OF LIBRARY
- DECLARE INTEGER COMMAND
- TELL THE PROGRAM @ WHICH PINS CONNECTED TO BT MODULE
- DEFINE MOTORS AS OBJECTS → CONNECTIONS W/ MOTOR DRIVERS
- BEGIN WRITING SETUP → WHEREAS LOOP?
- SERIAL MONITOR > 9600
- BT MODULE
- DEFINE PINS AS OUTPUT
- START WRITING LOOP
- IF CONDITION SAYS IF BT IS CONNECTED
- READ COMMAND ↗
- PRINT COMMAND
- START SWITCH CASE → IF COMMAND
 - 1 → FORWARD
 - 2 → REVERSE
 - 3 → LEFT
 - 4 → RIGHT
 - 0 → STOPS

ALSO SUBJECT
TO CHANGE